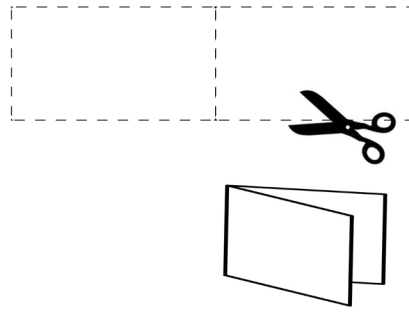


To print at home, use heavy weight paper, or card stock. Cut out the cards along the dotted lines. If you're unable to print on both sides, you can simply fold on the center line to make a 2-sided card.



If you use a professional printer, we suggest you print 2-sided cards with white text on red card stock with rounded corners.

SALUTE Spread Information, Not Panic

- SIZE** -- How many agents, officers?
- ACTIVITY** -- What are they doing?
- LOCATION** -- Address or intersection and borough?
- UNIFORM** -- Letters and patches visible on jackets/vests/vehicles?
- TIME** -- When did you witness this?
- EQUIPMENT** -- What do they have with them?

ACTUAR Informa, no alarmes

- CUÁNTOS**--¿Cuántos agentes/oficiales?
- ACTIVIDAD** -- ¿Qué están haciendo?
- UBICACIÓN**-- Dirección o intersección y barrio
- ROPA** -- Letras y parches visibles en chaquetas/chalecos/vehículos
- TIEMPO** -- ¿Cuándo lo presenciaste?
- ARMAS Y EQUIPO EN USO** -¿Qué tienen con ellos?

SALUTE Spread Information, Not Panic

- SIZE** -- How many agents, officers?
- ACTIVITY** -- What are they doing?
- LOCATION** -- Address or intersection and borough?
- UNIFORM** -- Letters and patches visible on jackets/vests/vehicles?
- TIME** -- When did you witness this?
- EQUIPMENT** -- What do they have with them?

ADAPTE Inrmer, ne pas paniquer

- PUISSANCE/NOMBRE**--Combien d'agents
- ACTIVITÉ**-- Que font-ils? /officiers?
- ENDROIT ET DIRECTION**-- Adresse ou intersection et quartier
- TENUE/UNIFORME** -- Lettres et insignes visibles sur vestes/gilets/véhicules
- DATE ET TEMPS** -- Quand avez-vous été témoin de cela?
- ARMES ET ÉQUIPEMENT** Que portent-ils avec eux?

SALUTE Spread Information, Not Panic

- SIZE** -- How many agents, officers?
- ACTIVITY** -- What are they doing?
- LOCATION** -- Address or intersection and borough?
- UNIFORM** -- Letters and patches visible on jackets/vests/vehicles?
- TIME** -- When did you witness this?
- EQUIPMENT** -- What do they have with them?

ACTUAR Informa, no alarmes

- CUÁNTOS**--¿Cuántos agentes/oficiales?
- ACTIVIDAD** -- ¿Qué están haciendo?
- UBICACIÓN**-- Dirección o intersección y barrio
- ROPA** -- Letras y parches visibles en chaquetas/chalecos/vehículos
- TIEMPO** -- ¿Cuándo lo presenciaste?
- ARMAS Y EQUIPO EN USO** -¿Qué tienen con ellos?

SALUTE Spread Information, Not Panic

- SIZE** -- How many agents, officers?
- ACTIVITY** -- What are they doing?
- LOCATION** -- Address or intersection and borough?
- UNIFORM** -- Letters and patches visible on jackets/vests/vehicles?
- TIME** -- When did you witness this?
- EQUIPMENT** -- What do they have with them?

ADAPTE Inrmer, ne pas paniquer

- PUISSANCE/NOMBRE**--Combien d'agents
- ACTIVITÉ**-- Que font-ils? /officiers?
- ENDROIT ET DIRECTION**-- Adresse ou intersection et quartier
- TENUE/UNIFORME** -- Lettres et insignes visibles sur vestes/gilets/véhicules
- DATE ET TEMPS** -- Quand avez-vous été témoin de cela?
- ARMES ET ÉQUIPEMENT** Que portent-ils avec eux?